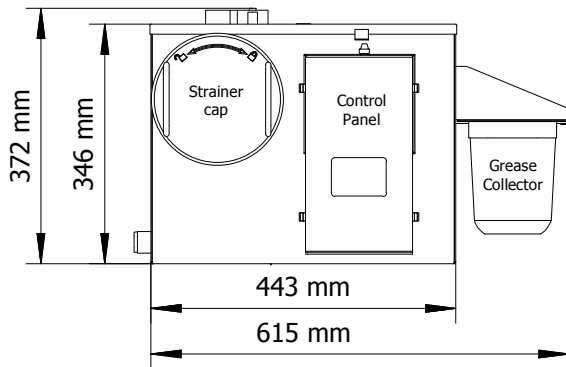


GGX7 Grease Guardian 230 VAC Specification (mm)

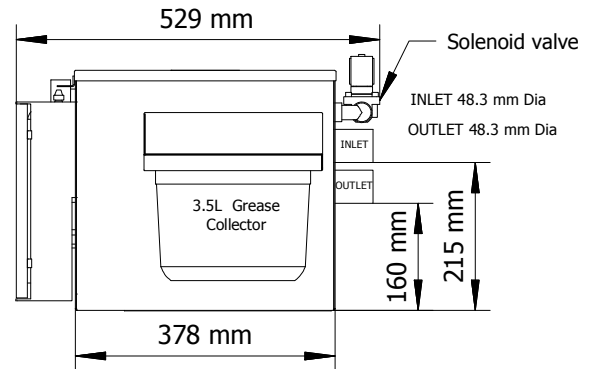
System features:

Fully automatic grease removal system with PLC controller, Dry basket solids strainer for improved hygiene, Automatic Surface Scum wash with level replenishment for low flow applications (when connecting low flow combi ovens), No internal tank user access required, Universal flow direction, Pipework and electrical connections concealed from view. Options Include air blower system upgrade.

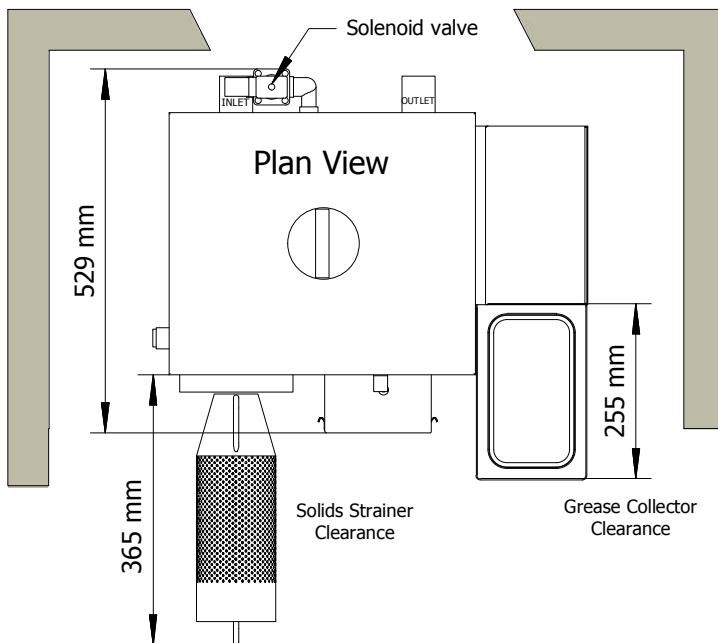
Front View



Right End View



Minimum Floor-space Recommendation



KEY INSTALLATION NOTES:

Allow for the minimum clearances shown

Allow adequate space at front for slide-in strainer & slide-in grease collector.

Keep outlet piping at 1:40 fall.

System is supplied with rubber pipe connectors for connection to nominal pipe size 1.5 inch (38/40mm)

Only connect mains power after filling system with water until the level stabilises

System requires 2-3 bar pressure hot water supply for on board solenoid valve, 1/2 inch connection

Unit requires single phase supply with dedicated 30mA RCD/ELCB

Refer to ggx manual for full installation.

TECHNICAL DATA

| | |
|--------------------------------|---|
| Weight | 30 kg ex works |
| Material | Exterior, 16 gauge stainless steel, bright finish |
| Interior | Stainless Steel and Acetal Plastic Components |
| Maximum Flow Rate | 0.5 Litres per Second |
| Tank grease Retention Capacity | 15+ pounds/6.8kg |
| Solid Strainer Capacity | 6.6 pounds/2.99kg |
| Skimming Rate | 5 litres per hour |
| Progammig/Control | 24 hour, 7 day, multi functional digital |
| Electrical Load | 230VAC, 643Watts, 2.8 AMPS |